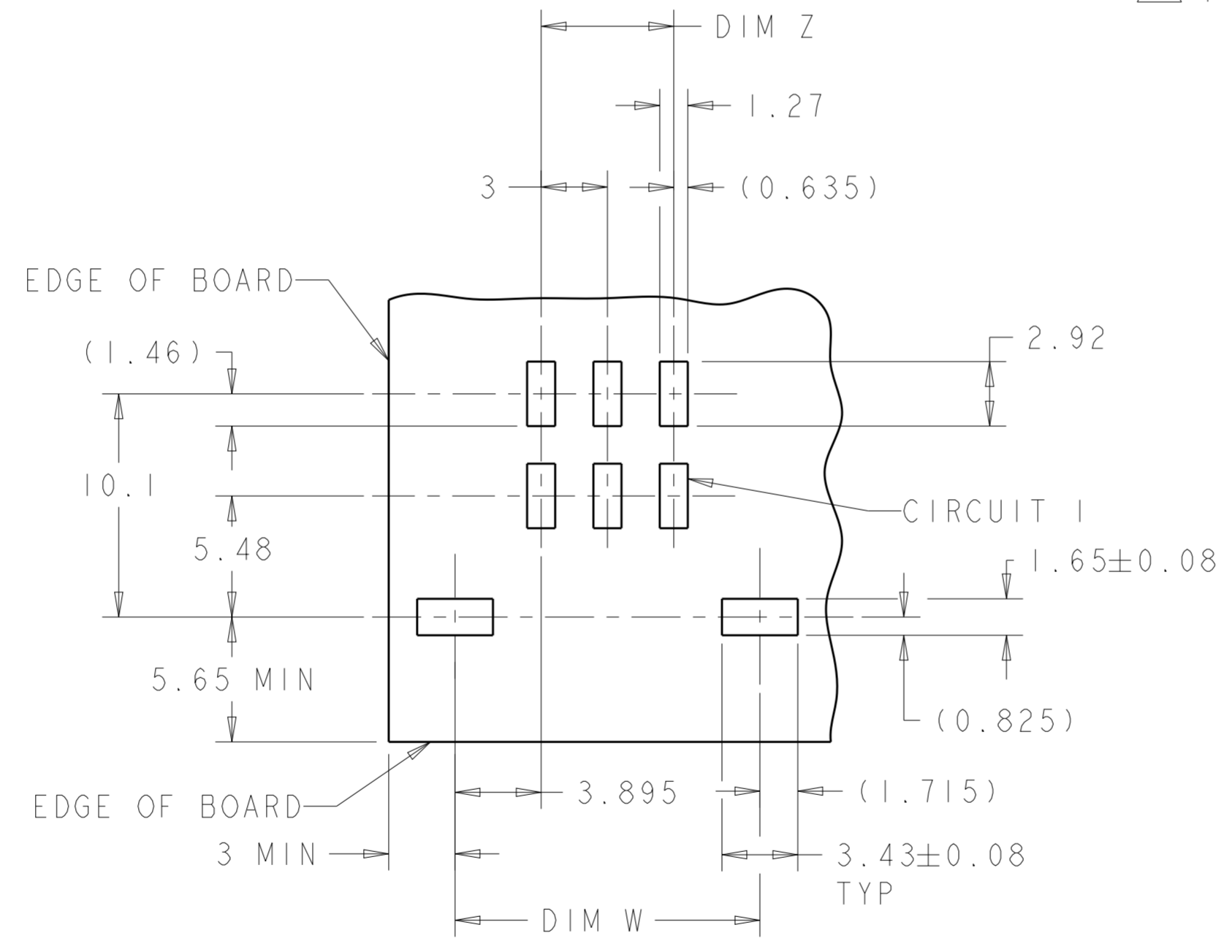
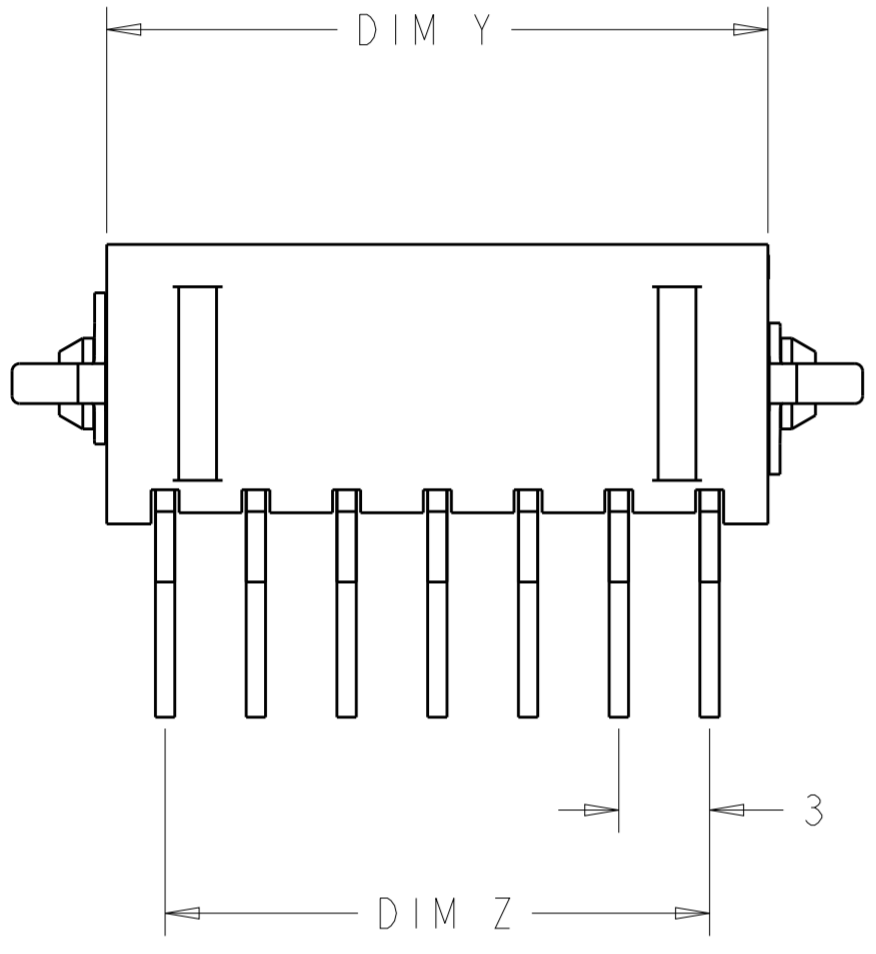
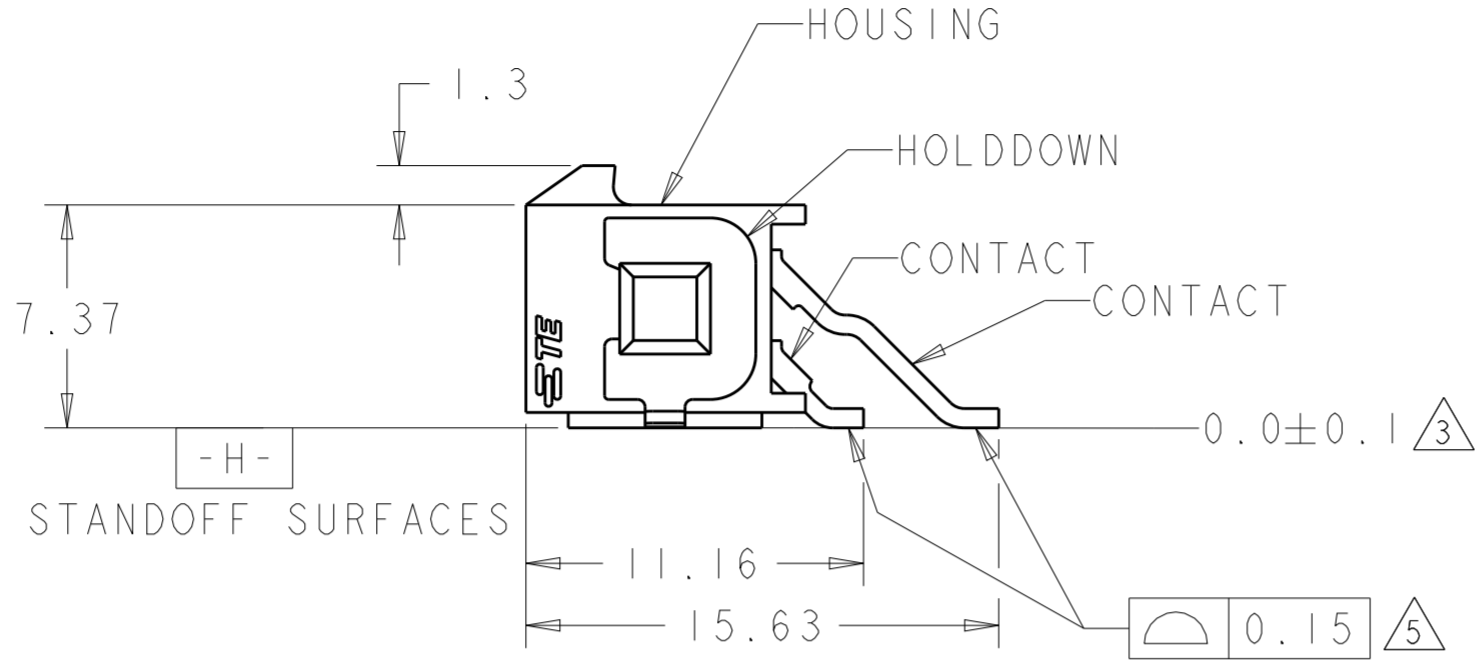
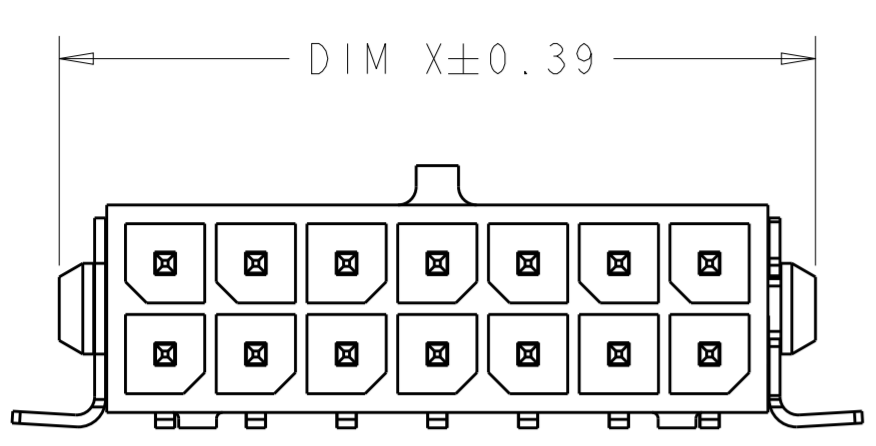
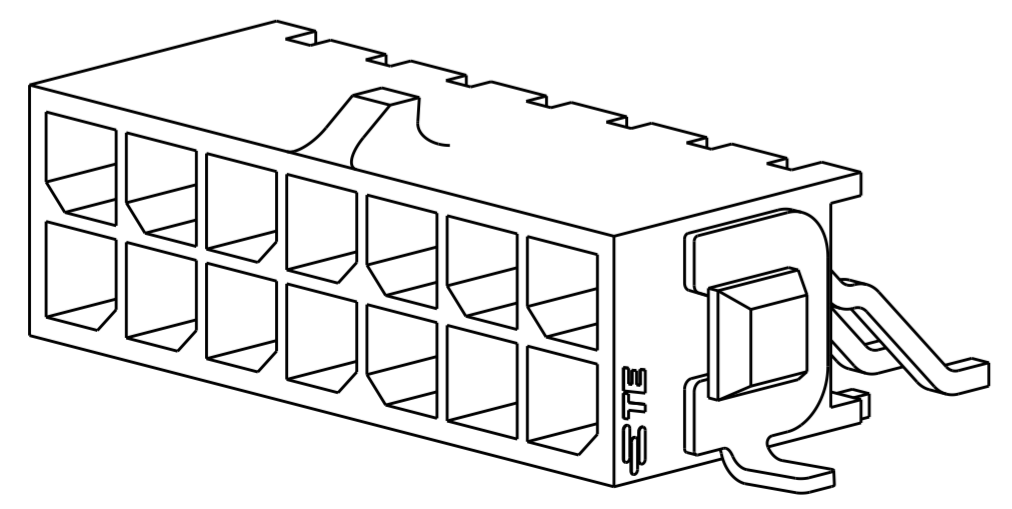


THIS DRAWING IS UNPUBLISHED. RELEASED FOR PUBLICATION 20  
 © COPYRIGHT 20 BY - ALL RIGHTS RESERVED.

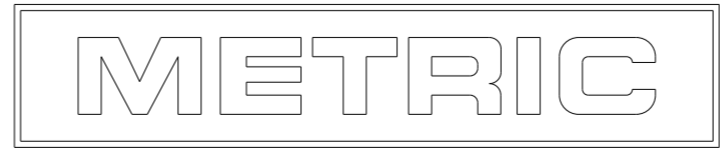
LOC	DIST	REVISIONS					
CM	00	P	LTR	DESCRIPTION	DATE	DWN	APVD
		J		REVISED PER ECO-15-003291	27JULY2015	SC	DZ



RECOMMENDED PCB LAYOUT (COMPONENT SIDE) <sup>4</sup>



SCALE 5:1



- <sup>1</sup> MATERIAL;  
CONTACTS - BRASS.  
HOUSING - UL 94V-0 RATED HIGH TEMP NYLON,  
COLOR; BLACK.  
HOLD DOWNS - PHOSPHOR BRONZE.
- <sup>2</sup> FINISH;  
CONTACTS - 2.54µm MINIMUM TIN-LEAD OVER 1.27µm  
MINIMUM NICKEL.  
HOLD DOWNS - 2.54µm TIN-LEAD.
- <sup>3</sup> DIMENSION APPLIES TO SOLDERTAIL SURFACES  
AND STANDOFF SURFACES.
- <sup>4</sup> RECOMMENDED PC BOARD THICKNESS OF 1.57.
- <sup>5</sup> ALL SOLDERTAILS AND HOLD DOWNS.
- <sup>6</sup> FINISH;  
CONTACTS - 2.54µm MINIMUM MATTE TIN OVER 1.27µm  
MINIMUM NICKEL.  
HOLD DOWNS - 2.54µm MINIMUM MATTE TIN.

<sup>6</sup>	36.86	40.79	33.00	40.00	24	5-794627-4
	33.86	37.79	30.00	37.00	22	5-794627-2
	30.86	34.79	27.00	34.00	20	5-794627-0
	27.86	31.79	24.00	31.00	18	4-794627-8
	24.86	28.79	21.00	28.00	16	4-794627-6
	21.86	25.79	18.00	25.00	14	4-794627-4
	18.86	22.79	15.00	22.00	12	4-794627-2
	15.86	19.79	12.00	19.00	10	4-794627-0
	12.86	16.79	9.00	16.00	8	3-794627-8
	9.86	13.79	6.00	13.00	6	3-794627-6
	6.86	10.79	3.00	10.00	4	3-794627-4
	3.86	7.79	-	7.00	2	3-794627-2
<sup>2</sup>	36.86	40.79	33.00	40.00	24	2-794627-4
	33.86	37.79	30.00	37.00	22	2-794627-2
	30.86	34.79	27.00	34.00	20	2-794627-0
	27.86	31.79	24.00	31.00	18	1-794627-8
	24.86	28.79	21.00	28.00	16	1-794627-6
	21.86	25.79	18.00	25.00	14	1-794627-4
	18.86	22.79	15.00	22.00	12	1-794627-2
	15.86	19.79	12.00	19.00	10	1-794627-0
	12.86	16.79	9.00	16.00	8	794627-8
	9.86	13.79	6.00	13.00	6	794627-6
	6.86	10.79	3.00	10.00	4	794627-4
	3.86	7.79	-	7.00	2	794627-2
FINISH	DIM Y	DIM W	DIM Z	DIM X	NO. OF POSN.	ASSEMBLY

THIS DRAWING IS A CONTROLLED DOCUMENT.

DIMENSIONS: mm	TOLERANCES UNLESS OTHERWISE SPECIFIED:	DWN S. HOOVER 23-MAR-2005	TE Connectivity
	0 PLC ±	CHK C. JONES 23-MAR-2005	
	1 PLC ±	APVD C. JONES 23-MAR-2005	
	2 PLC ±0.13	PRODUCT SPEC	
	3 PLC ±	APPLICATION SPEC	NAME SURFACE MOUNT, RIGHT ANGLE, SURFACE MOUNT HOLD DOWN, ASSEMBLY, TIN HEADER, DUAL ROW, MICRO MATE-N-LOK (TM)
	4 PLC ±	WEIGHT	SIZE A2
MATERIAL	ANGLES ±	CUSTOMER DRAWING	CAGE CODE C-794627
	FINISH	SCALE 4:1	DRAWING NO. G-794627
	SEE TABLE	SHEET 1 OF 1	RESTRICTED TO